

Cila Go

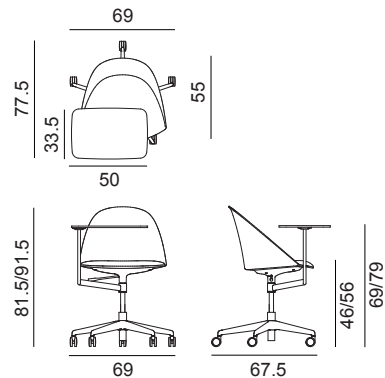
Design by Lievore Altherr, 2019

Art. 2313

Chair on a 5 way reinforced nylon fibre swivel base (black or white) mounted on self-braking castors (in the same colour as the base) and complete with writing tablet 50x33.5 cm in HPL with top and rotating arm in the same colour as the base. Polypropylene shell available in five colors, with seat cushion in leather, coated fabric, fabric or customer's own material.



Dimensions *



* File CAD 2D - 3D available for download at www.arper.com

Frame Base



PA00001



PA00002

Shell

Polypropylene



PC00001



PC00002



PC00003



PC00004



PC00005

arper

info@arper.com


www.arper.com

Cila Go

Design by Lievore Altherr, 2019

SHIPMENT DETAILS

Art.2313

1 pz = 3  - kg 18,61/ m³ 0,27

4 pz = 9  - kg 67,61/ m³ 0,688

RESISTANCE TEST

- TUV GS (EN16139)

ENVIRONMENTAL CERTIFICATIONS



TECHNICAL SPECIFICATIONS

Art.2313

COL requirement m² 0,756

H 140 cm. COM Meterage m 0,41

FIRE RETARDANT TEST

arper

www.arper.com
info@arper.com

www.arper.com